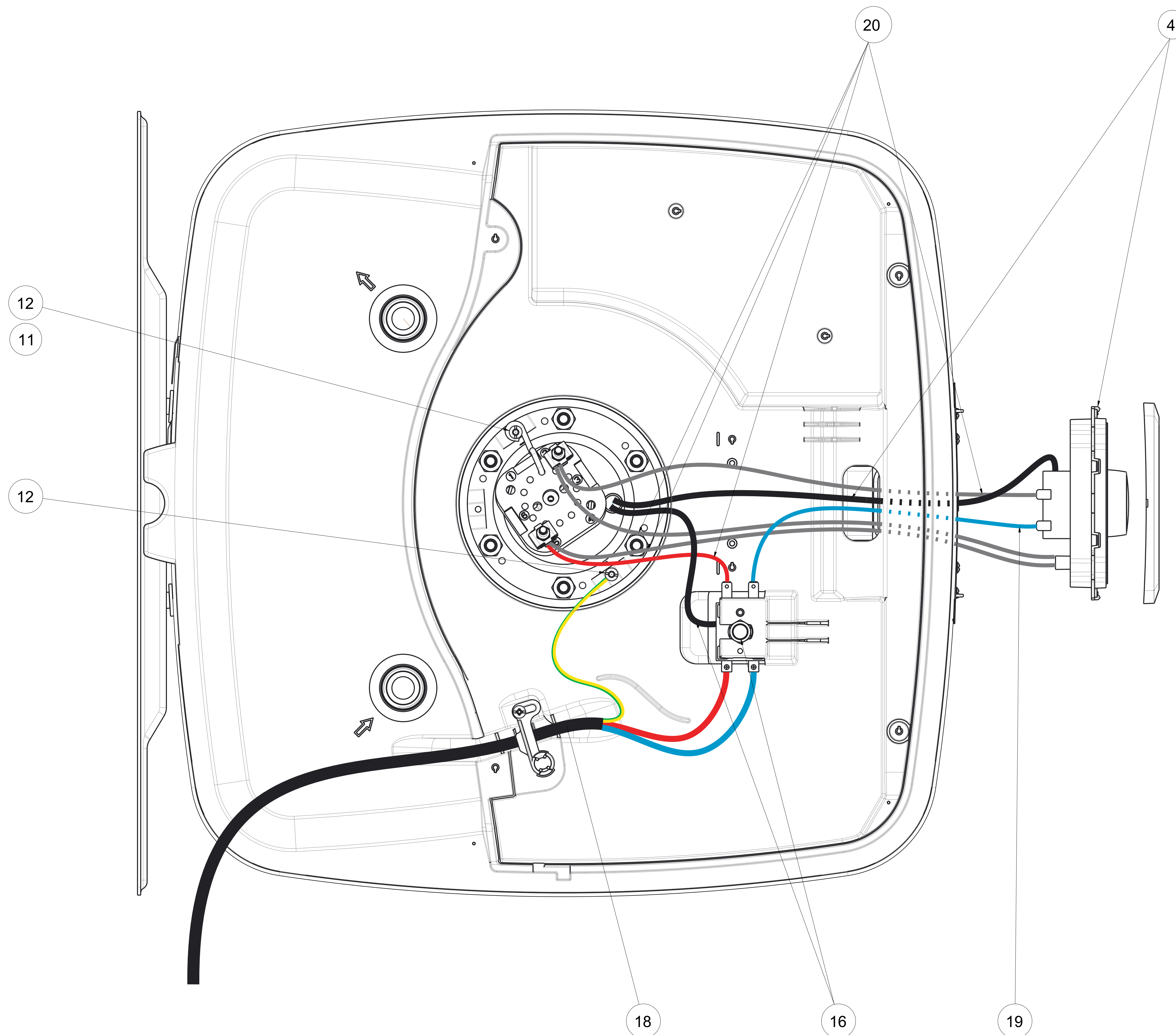
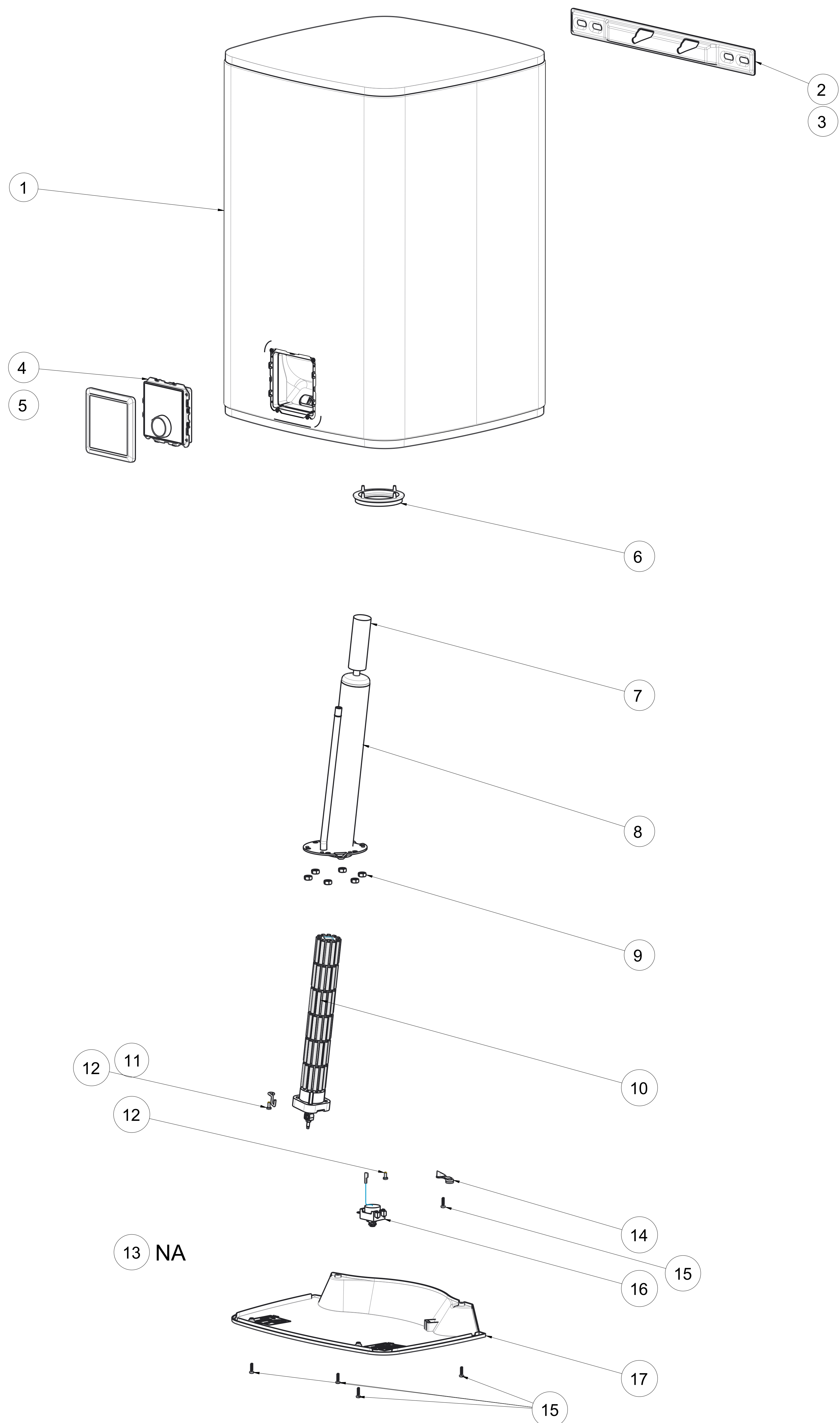
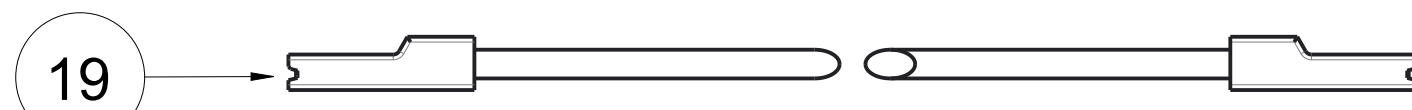


Mis à jour le : 21/09/2017
En attente de validation nomenclature série

Ind	Date	Modification			Avis/DM	Modif par
		drawn by	checked by	status	ERP ID	folio
		invenley			U0607120	1 / 2
	creation date	GAMME_S4_075L_EG			PLM ID	REV.
	05-mai-2017 13:33				U0607120	#
size	scale	This drawing can't be, without authorization, neither copied, neither reproduced, or communicated to third. Law of July 14, 1985 on the drawings and the models.				
A0	1/3					

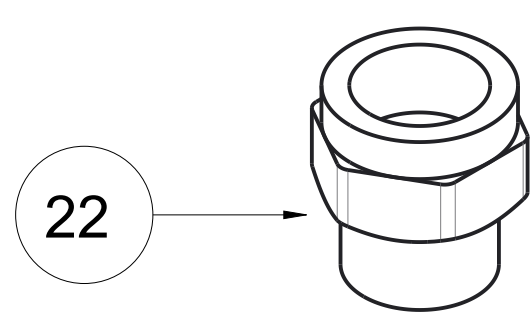


18 ROLLED CABLE WIRE 3X1,5 L1800 BB F



20 FAISCEAU AVEC VOYANT DE CHAUFFE

21 NA



23 WHITE SAFETY VALVE 1/2' 8 BAR LOW PRESS

Mis à jour le : 21/09/2017
En attente de validation nomenclature série

Incl	Date	Modification	status	Avis/DM	Modif par
AO	05-mai-2017 13:33	creation date	GAMME_S4_075L_EG	U0607120	2 / 2
AO	1/4	scale		U0607120	REV. #

This drawing can be, without authorization, neither copied, neither reproduced, or communicated to third. Law of July 14, 1985 on the drawings and the models.